

RE-120GR Agent Release Panel



Product Overview

RE-120GR Agent Release Panel. These panel are a feature packed control unit performing dual function of detection and controlled release of gaseous agent. These panels have 2 detection circuits and 1 agent release circuit with various programmable options. The panel have all the safety features to prevent accidental release, easy to install, commission with user friendly programmable option, this panel is ideal choice to protect the premises.

Features:

- Operates on 220V, A.C supply
- Battery backup with built in charging.
- 16 X 2 LCD Dot Matrix Display.
- Evacuate and Key pad Enable, Disable Facility.
- Low battery visual warning with audible tone.
- Relay output for actuators.
- Provision for Remote fire with Audio / Visual Indications.
- Compatible to all types of conventional detectors.
- Zone Disable (Isolation) facility with loop voltage cut off.
- Resettable 24v DC output for 4 wire detectors.
- Three 24V Sounder Output (Fire, after Cross zone, after gas release).
- Two mode operation facility (Auto / Manual).
- Programmable Solenoid Output with ON and OFF Timer.
- Programmable Main / Standby Cylinder output Facility.
- Gas Inhibit and Instant release facility.
- Manual Gas Release with or without timer.
- Actuator pressure low sensing facility.
- RS 485 Output for Repeater.

Special Features:

- Ravel Indian Manufacturer, International standard.
 - Modular Construction, Serviceable.
 - Special logic circuitry to prevent accident release.
 - Auto Resettable Fuse.
 - Surge Protected.
 - Battery polarity & deep discharge protection.
- NAC's Output:
- Variable solenoid ON / OFF time.
 - 2 No's of programmable Initiating Device Circuit and 1 No's of Releasing Agent circuit.



Electrical Specification

Power

220-240 VAC, 50 Hz.
Wire size: 1.5 Sq. mm with 600V insulation

Battery (Lead Acid only)

Charging Voltage : 28 VDC.
Charging Current : 0.5 Amps (Max)
System Quiescent Current : 80mA

Initiating Device Circuits (Zone Circuit)

All zones are Class B wiring
Normal Operating Voltage : Nominal 24 VDC
Alarm Current : 15 - 35mA
Short Circuit Current : 40mA Maximum
Loop resistance : 50 ohms Maximum
End-Of-Line Resistor : 4.7K, 1/4watt
Standby Current : 6.8mA
(2.4mA for Detectors)

Notification Appliance Circuits (Sounder / Strobe Circuit)

1) Supervised

Operating Nominal Voltage : 24 VDC
Operating Current : 0.75A (Max)
End-Of-Line Resistor : 4.7K, 1/4watt

2) Non - Supervised

Operating Nominal Voltage : 24 VDC
Operating Current : 0.3A (Max)
End-Of-Line Resistor : 4.7K, 1/4watt

Releasing Agent Circuit

Operating Nominal Voltage : 24 VDC
Solenoid output : 0.75A
End-Of-Line Resistor : 4.7K, 1/4watt (for Solenoid Output)

Remote Outputs

Fire Contact (C, NO, NC) : 220v AC/30v DC@ 1A
Fault Contact (C, NO, NC) : 220v AC/30v DC@ 1A
Cross Zoning Contact(C, NO, NC) : 220v AC/30vDC@1A

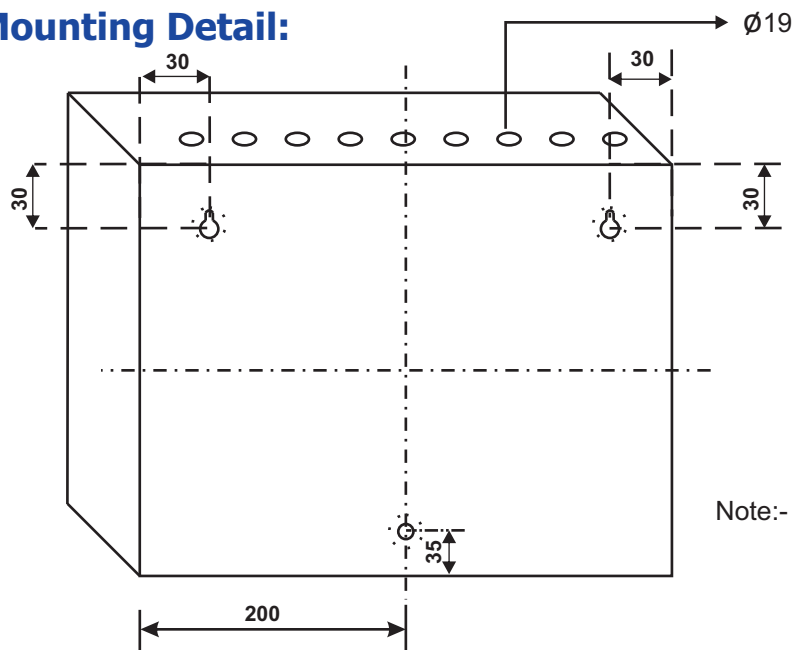
24 VDC Power For remote devices (Optional)

Operating Voltage : 24VDC, 500mA Max.

Operating Condition

Operating Temperature 0 - 49° C / 32-120° F.
Relative Humidity 93 ± 2% RH (non-condensing) at 32 ± 2° C / 90 ± 3° F.

Mounting Detail:

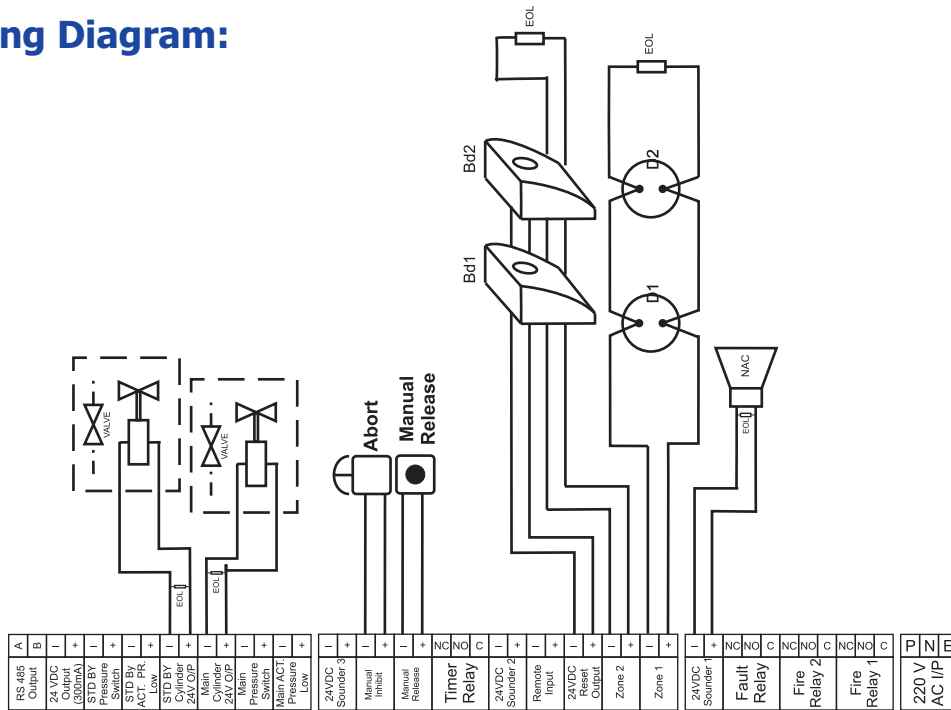


Note:- All Dimensions are in MM

Mechanical Specification:

Dimensions : (400W X 300H X 100D)
Color : Red / White
Construction : 18 Gauge (1.22mm) CRCA sheet with powder-coated Finish
IP Rating : IP50
Cable Entry : 09 x Ø19mm Knockout in top of the cabinet

Wiring Diagram:



Note:

- D1,D2 - Two wire detectors
 - Bd1, Bd2 - Four wire detectors.
 - EOL - End Of Line Resistor
 - NAC - Notification Alarm Circuit (Sounder)
 - IDC - Initiating Device Circuit (Zone)
- Initiating Device Circuit
IDC's are 1 & 2, Class B StyleB/C
End of Line - 4K7 1/2W

- ⊙All the field wiring circuits are supervised.
- ⊙All the field wiring circuits are Power limited except 220v A.C and Battery.

Compatible Devices:

MODELS	DESCRIPTION
RE-Monitor	24VDC Output for Monitor Module
RE-4K7	End Of Line Resistor

Ordering Information:

MODEL	DESCRIPTION
RE-120GR-W	2 ZONE Gas Release Panel
RE-120GR-R	2 ZONE Gas Release Panel

Note: R- Red Color; W-White Color

India:

RAVEL ELECTRONICS PVT LTD.,
(An ISO 9001 Company)
150A, Electronics Industrial Estate, Perungudi, Chennai - 96 .India.
E-Mail: marketing@ravelfire.com; Web : www.ravelfire.com

United Kingdom:

RAVEL ELECTRONICS LTD.,
Unit 11, Chancel Industrial Estate, Newhall street,
Willenhall WV13 1NX, West Midlands, United Kingdom.
E-mail: info@ravelfire.co.uk ;Web: www.ravelfire.co.uk